

| REV. | ECO NO.   | DATE     | SIGN  | DESCRIPTION                                   |
|------|-----------|----------|-------|---|
| B    | ECN100313 | 20100326 | David | 增加尺寸標註  |
| C    | ECN100504 | 20100507 | Eric  | 1.Modify drawing.<br>2.Create carton drawing. |
| D    | ECN101001 | 20101001 | Rory  | DIM.D更正                                       |

NOTE:

1.MATERIAL:  
HOUSING:THERMOPLASTIC  
CONTACTS:COPPER ALLOY

2.PLATING:  
CONTACTS:SEE ORDERING INFORMATION  
SOLDER PAD:TIN OVER NICKEL

3.PART NO.:

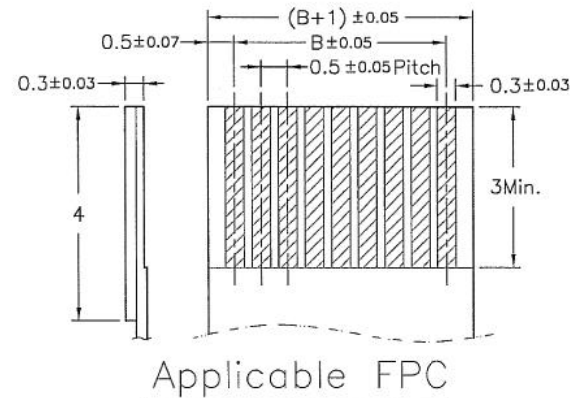
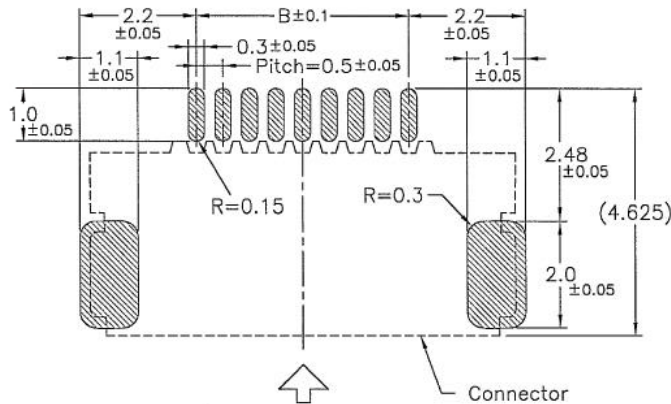
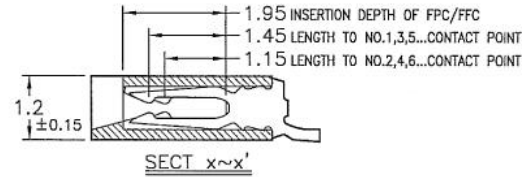
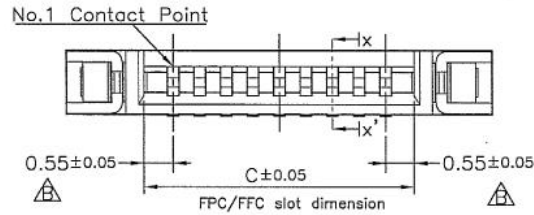
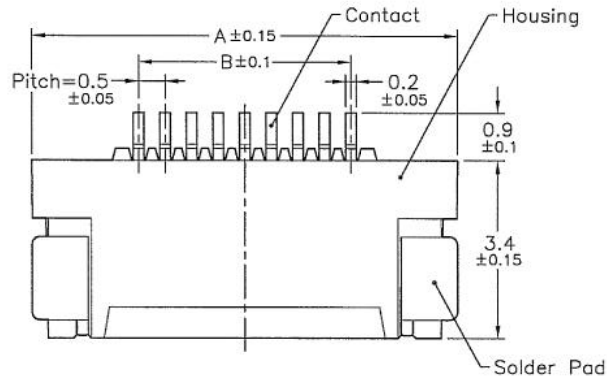
BL122A-- xx R -- xx xx

ND--TIN OVER NICKEL(LEAD FREE)  
3G--3u" GOLD OVER NICKEL  
GF--1u"~3u" GOLD OVER NICKEL

PACKAGING  
TA--EMBOSSSED TAPE  
TU--TUBE  
RIGHT ANGLE  
NO. OF CONTACTS

4.RATING:

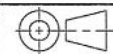
OPERATING VOLTAGE:50V  
CURRENT RATING:0.4A  
OPERATING TEMPERATURE:-55°C ~ +85°C



| No.of Contacts | Part Number | DIM. A | DIM. B | DIM. C |
|----------------|-------------|--------|--------|--------|
| 4              | BL122A-04R  | 5.53   | 1.5    | 2.6    |
| 5              | BL122A-05R  | 6.03   | 2      | 3.1    |
| 6              | BL122A-06R  | 6.53   | 2.5    | 3.6    |
| 7              | BL122A-07R  | 7.03   | 3      | 4.1    |
| 8              | BL122A-08R  | 7.53   | 3.5    | 4.6    |
| 9              | BL122A-09R  | 8.03   | 4      | 5.1    |
| 10             | BL122A-10R  | 8.53   | 4.5    | 5.6    |
| 11             | BL122A-11R  | 9.03   | 5      | 6.1    |
| 12             | BL122A-12R  | 9.53   | 5.5    | 6.6    |
| 13             | BL122A-13R  | 10.03  | 6      | 7.1    |
| 14             | BL122A-14R  | 10.53  | 6.5    | 7.6    |
| 15             | BL122A-15R  | 11.03  | 7      | 8.1    |
| 16             | BL122A-16R  | 11.53  | 7.5    | 8.6    |
| 17             | BL122A-17R  | 12.03  | 8      | 9.1    |
| 18             | BL122A-18R  | 12.53  | 8.5    | 9.6    |
| 19             | BL122A-19R  | 13.03  | 9      | 10.1   |
| 20             | BL122A-20R  | 13.53  | 9.5    | 10.6   |
| 21             | BL122A-21R  | 14.03  | 10     | 11.1   |
| 22             | BL122A-22R  | 14.53  | 10.5   | 11.6   |
| 23             | BL122A-23R  | 15.03  | 11     | 12.1   |
| 24             | BL122A-24R  | 15.53  | 11.5   | 12.6   |
| 25             | BL122A-25R  | 16.03  | 12     | 13.1   |
| 26             | BL122A-26R  | 16.53  | 12.5   | 13.6   |
| 27             | BL122A-27R  | 17.03  | 13     | 14.1   |
| 28             | BL122A-28R  | 17.53  | 13.5   | 14.6   |
| 29             | BL122A-29R  | 18.03  | 14     | 15.1   |
| 30             | BL122A-30R  | 18.53  | 14.5   | 15.6   |
| 31             | BL122A-31R  | 19.03  | 15     | 16.1   |
| 32             | BL122A-32R  | 19.53  | 15.5   | 16.6   |
| 33             | BL122A-33R  | 20.03  | 16     | 17.1   |
| 34             | BL122A-34R  | 20.53  | 16.5   | 17.6   |
| 35             | BL122A-35R  | 21.03  | 17     | 18.1   |
| 36             | BL122A-36R  | 21.53  | 17.5   | 18.6   |
| 37             | BL122A-37R  | 22.03  | 18     | 19.1   |
| 38             | BL122A-38R  | 22.53  | 18.5   | 19.6   |
| 39             | BL122A-39R  | 23.03  | 19     | 20.1   |
| 40             | BL122A-40R  | 23.53  | 19.5   | 20.6   |
| 41             | BL122A-41R  | 24.03  | 20     | 21.1   |
| 42             | BL122A-42R  | 24.53  | 20.5   | 21.6   |
| 43             | BL122A-43R  | 25.03  | 21     | 22.1   |
| 44             | BL122A-44R  | 25.53  | 21.5   | 22.6   |
| 45             | BL122A-45R  | 26.03  | 22     | 23.1   |
| 46             | BL122A-46R  | 26.53  | 22.5   | 23.6   |
| 47             | BL122A-47R  | 27.03  | 23     | 24.1   |
| 48             | BL122A-48R  | 27.53  | 23.5   | 24.6   |
| 49             | BL122A-49R  | 28.03  | 24     | 25.1   |
| 50             | BL122A-50R  | 28.53  | 24.5   | 25.6   |

PCB Layout

|                            |           |                |          |
|----------------------------|-----------|----------------|----------|
| TOLERANCE UNLESS SPECIFIED | SHEET 1/3 | DR. BY Eric    | MATERIAL |
| LINEAR                     | ANGLE     | CHK. BY Robbie | FINISH   |
| X XX                       | X° XX     | APP. BY Robbie | PART NO. |
| XX XX                      | X° XX     |                |          |
| .XXXX                      | .XX° XX   |                |          |



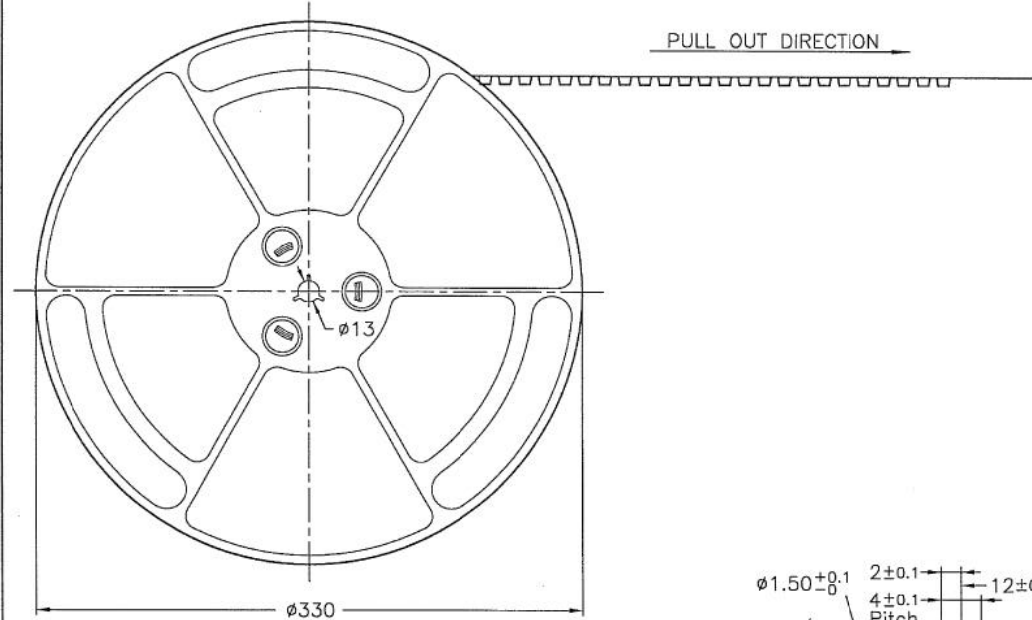
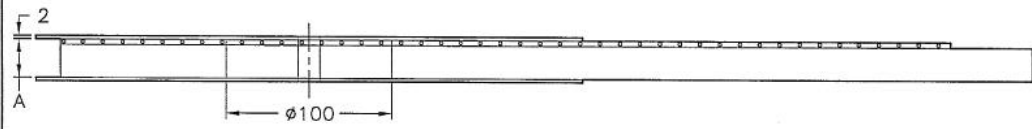
|         |                               |
|---------|-------------------------------|
| TITLE   | 0.5mm Pitch FPC/FFC Connector |
| DWG NO. | BL122A-xxR-xxxx               |

本產品不含有環境管理物質規定之有害物質

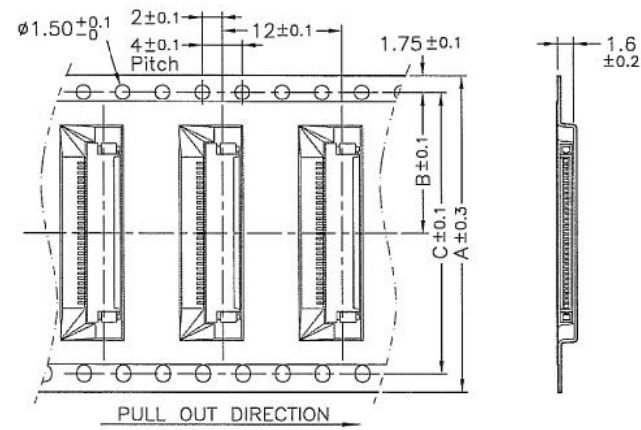
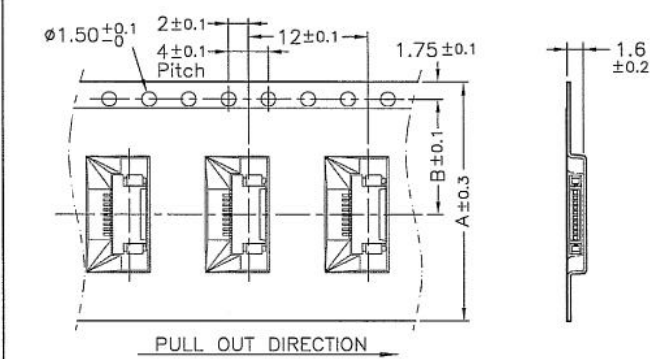
[MANAGEMENT REGULATIONS FOR THE RESTRICTIVELY-USED SUBSTANCES INCLUDED IN PARTS AND DEVICES]

# EMBOSSED TAPE PACKING BL122A SERIES RIGHT ANGLE TYPE

| REV. | ECO NO.   | DATE     | SIGN  | DESCRIPTION                                   |
|------|-----------|----------|-------|---|
| B    | ECN100313 | 20100326 | David | 增加尺寸標註  |
| C    | ECN100504 | 20100507 | Eric  | 1.Modify drawing.<br>2.Create carton drawing. |
| D    | ECN101001 | 20101001 | Rory  | DIM.D更正                                       |



- Note:
- 1.10 sprocket hole pitch cumulative tolerance 0.2.
  - 2.Carrier camber is within 1 mm in 250mm.
  - 3.Material : Black Conductive Polystyrene Alloy.
  - 4.All dimensions meet EIA-481-B requirements.
  - 5.Thickness :  $0.3 \pm 0.05$ mm.
  - 6.Component load per 13" reel :3000 pcs.
  - 7.For tape width (dimension A) 16mm and 24mm a pilot hole is provided on one side. For tape width (dimension A) 32mm and 44mm pilot holes are provided on both sides.



| No.of Contacts | Part Number     | DIM. A | DIM. B | DIM. C |
|----------------|-----------------|--------|--------|--------|
| 04             | BL122A-04R-TAxx | 24     | 11.5   | —      |
| 18             | BL122A-18R-TAxx |        |        |        |
| 19             | BL122A-19R-TAxx | 32     | 14.2   | 28.4   |
| 29             | BL122A-29R-TAxx |        |        |        |
| 30             | BL122A-30R-TAxx | 44     | 20.2   | 40.4   |
| 50             | BL122A-50R-TAxx |        |        |        |

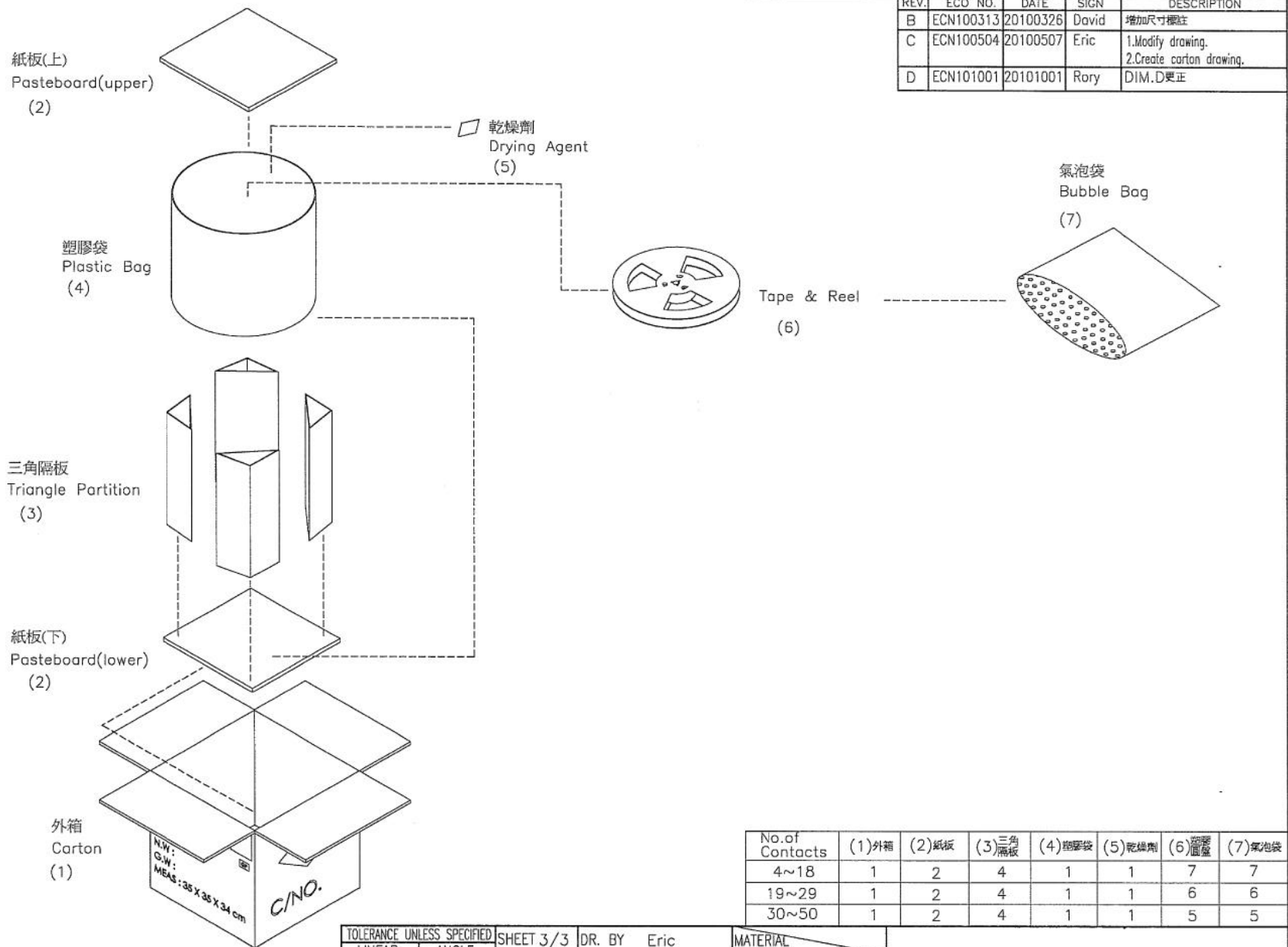
|                            |        |           |                |          |
|----------------------------|--------|-----------|----------------|----------|
| TOLERANCE UNLESS SPECIFIED |        | SHEET 2/3 | DR. BY Eric    | MATERIAL |
| LINEAR                     | ANGLE  | SCALE 3/2 | CHK. BY Robbie | FINISH   |
| XX XX                      | X' XX  | UNIT mm   | APP. BY Robbie | PART NO. |
| XXX XX                     | XX' XX |           |                |          |

|  |         |                               |
|--|---------|-------------------------------|
|  | TITLE   | 0.5mm Pitch FPC/FFC Connector |
|  | DWG NO. | BL122A-xxR-xxxx               |

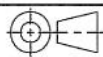
本產品不含有環境管理物質規定之有害物質

[MANAGEMENT REGULATIONS FOR THE RESTRICTIVELY-USED SUBSTANCES INCLUDED IN PARTS AND DEVICES]

| REV. | ECO NO.   | DATE     | SIGN  | DESCRIPTION                                   |
|------|-----------|----------|-------|---|
| B    | ECN100313 | 20100326 | David | 增加尺寸標註  |
| C    | ECN100504 | 20100507 | Eric  | 1.Modify drawing.<br>2.Create carton drawing. |
| D    | ECN101001 | 20101001 | Rory  | DIM.D更正                                       |



| No. of Contacts | (1)外箱 | (2)紙板 | (3)三角隔板 | (4)塑膠袋 | (5)乾燥劑 | (6)膠帶 | (7)氣泡袋 |
|-----------------|-------|-------|---------|--------|--------|-------|--------|
| 4~18            | 1     | 2     | 4       | 1      | 1      | 7     | 7      |
| 19~29           | 1     | 2     | 4       | 1      | 1      | 6     | 6      |
| 30~50           | 1     | 2     | 4       | 1      | 1      | 5     | 5      |

|                            |        |           |                |          |   |         |                               |
|----------------------------|--------|-----------|----------------|----------|---|---------|-------------------------------|
| TOLERANCE UNLESS SPECIFIED |        | SHEET 3/3 | DR. BY Eric    | MATERIAL |  | TITLE   | 0.5mm Pitch FPC/FFC Connector |
| LINEAR                     | ANGLE  | SCALE     | CHK. BY Robbie | FINISH   |   | DWG NO. | BL122A-xxR-xxxx               |
| XX XX                      | X' XX  |           | APP. BY Robbie | PART NO. |   |         |                               |
| XXX XX                     | XX' XX | UNIT mm   |                |          |   |         |                               |

本產品不含有環境管理物質規定之有害物質

[MANAGEMENT REGULATIONS FOR THE RESTRICTIVELY-USED SUBSTANCES INCLUDED IN PARTS AND DEVICES]